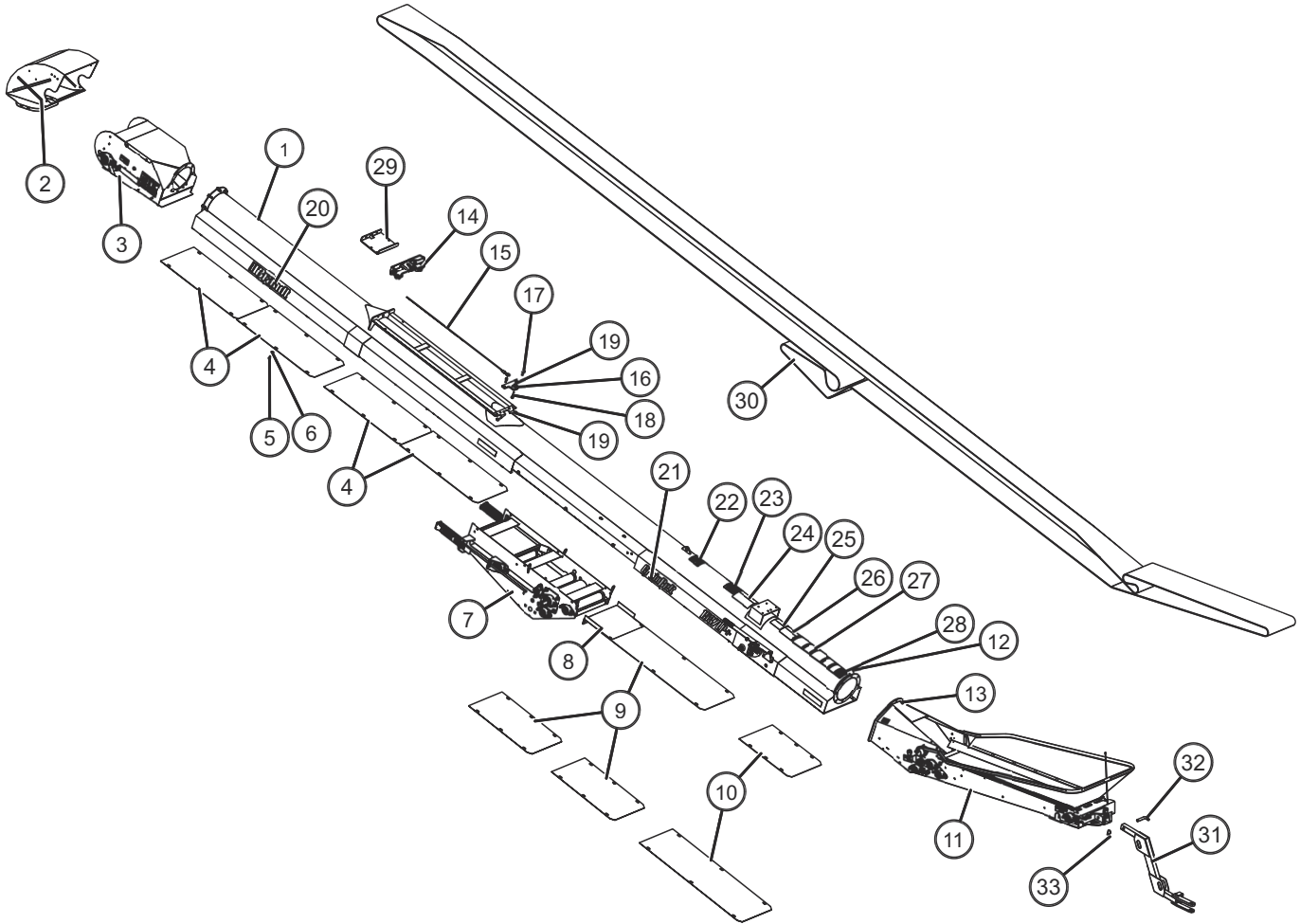


1537LP+ and 1547LP+ GRAINBELT CONVEYORS

SERIAL NO. 130000 - PRESENT

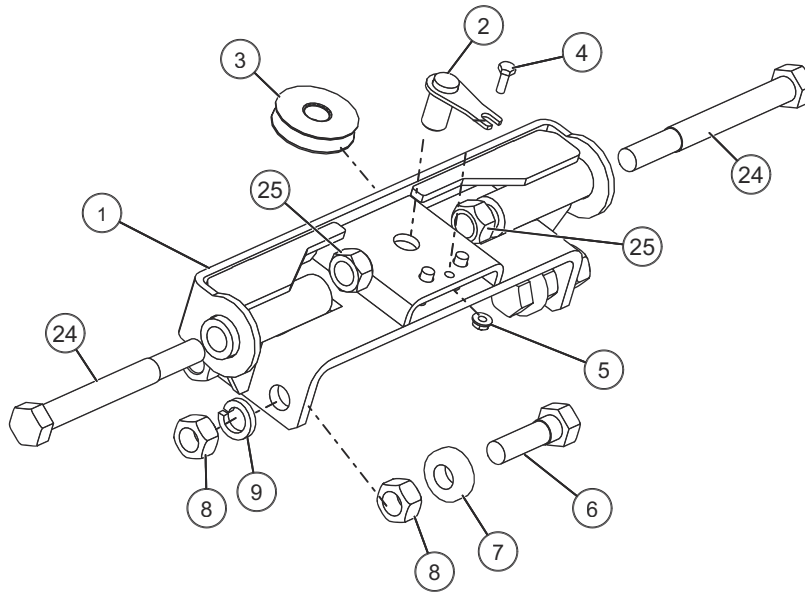
^{NS} Items not shown in drawing.

1537LP+ & 1547LP+ General Assembly

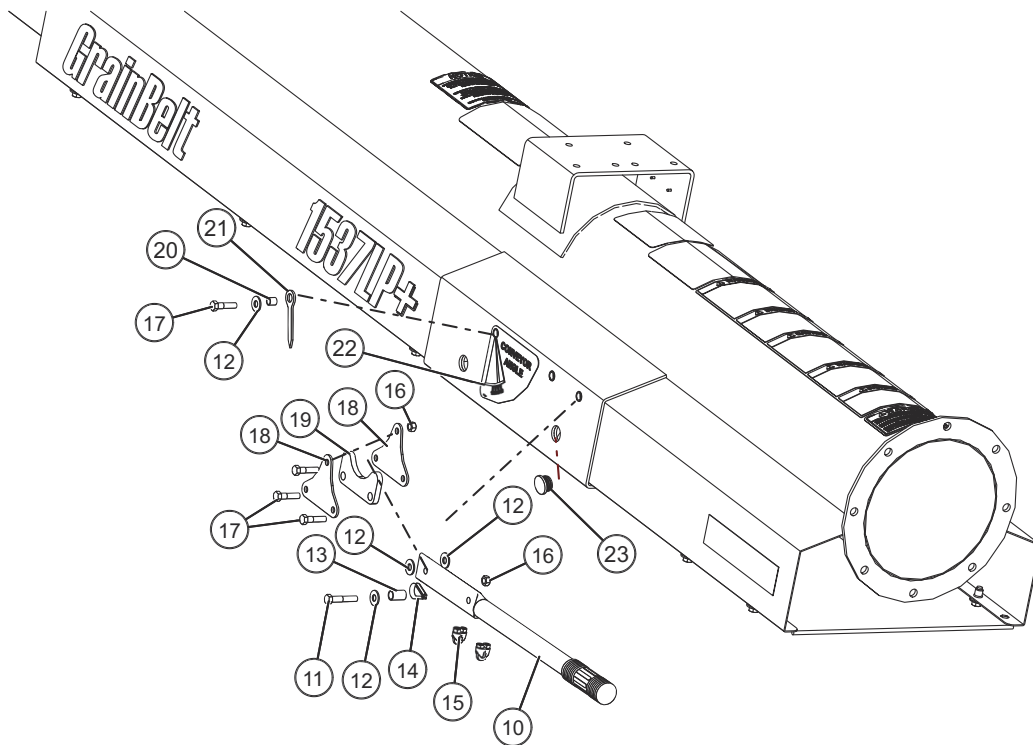


REF #	PART NO.	DESCRIPTION	QTY 1537	QTY 1547
1	C2158071A	1537LP+ TUBE C/W DECALS	1	
1	C2158061A	1547LP+ TUBE C/W DECALS		1
2	B027600	15 SERIES DISCHARGE SPOUT	1	1
3	C215642	15+ DISCHARGE ASSEMBLY	1	1
4	C2158063	WIND GUARD - 39" LONG	4	6
5	B001433	3/8" x 1" SERRATED FLANGE BOLT	38	56
6	B0011499	3/8" FLATWASHER - 3/8"ID x 1 1/4" OD	40	58
7	C215315	15+ S-DRIVE ASSEMBLY	1	1
8	C2158132	15+ WIND GUARD FILLER	1	1
9	C2158105	WIND GUARD - 52" LONG	1	
9	C2158104	WIND GUARD - 31 3/4" LONG		2
10	C2158106	WIND GUARD - 26" LONG	1	
10	C2158105	WIND GUARD - 52" LONG		1
11	C215648	15+ INTAKE ASSEMBLY	1	1
12	B001041	1/2" x 1 1/2" BOLT	16	16
13	B001134	1/2" STOVER LOCK NUT	16	16
14	C214856A	SLIDE ASSEMBLY	1	1
15	B008398	LIFT CABLE - 1/4" x 36' LONG	1	1
16	C214964	LOWER SLIDE STOP	1	1
17	B001040	1/2" x 1 1/4" BOLT	2	2
18	B001044	1/2" x 2" BOLT	1	1
19	B0011365	1/2" FLANGE LOCK NUT	3	3
20	B0291503	4 1/4" HIGH "BRANDT" DECAL	2	2
21	B0298005	"GRAINBELT" DECAL	2	2
22	B029977	"NOT A LIFT POINT" DECAL	1	1
23	B029006	"OIL SEED NOTICE" DECAL	1	1
24	B029027	"DAILY OPERATION CHECKLIST" DECAL	1	1
25	B029827	TRACKING DECAL	1	1
26	B029015	BELT SPEED DECAL	1	1
27	B0290108	COMBINATION SAFETY DECAL	1	1
28	B029971	SAFE TRANSPORT DECAL	1	1
29	C213106	TRANSPORT STOP	1 - AR	1 - AR
30	B018651	RUBBER BELT - 1537LP+ - 15" WIDE x 82' LG	1	
30	B018652	RUBBER BELT - 1547LP+ - 15" WIDE x 102' LG		1
31	C205544	EXTENDED HITCH	1	1
32	B0020315	3/4" x 4 1/8" L-PIN	1	1
33	B002091	.177" x 3 3/4" HAIR PIN CLIP	1	1
NS	C204176	15" BELT LACING KIT	AR	AR
NS	C204584	15" LACING PIN KIT	AR	AR
NS	B018612	RUBBER BELT - 15" WIDE x 10' LONG	AR	AR
NS	B018614	RUBBER BELT - 15" WIDE x 20' LONG	AR	AR

Common Parts



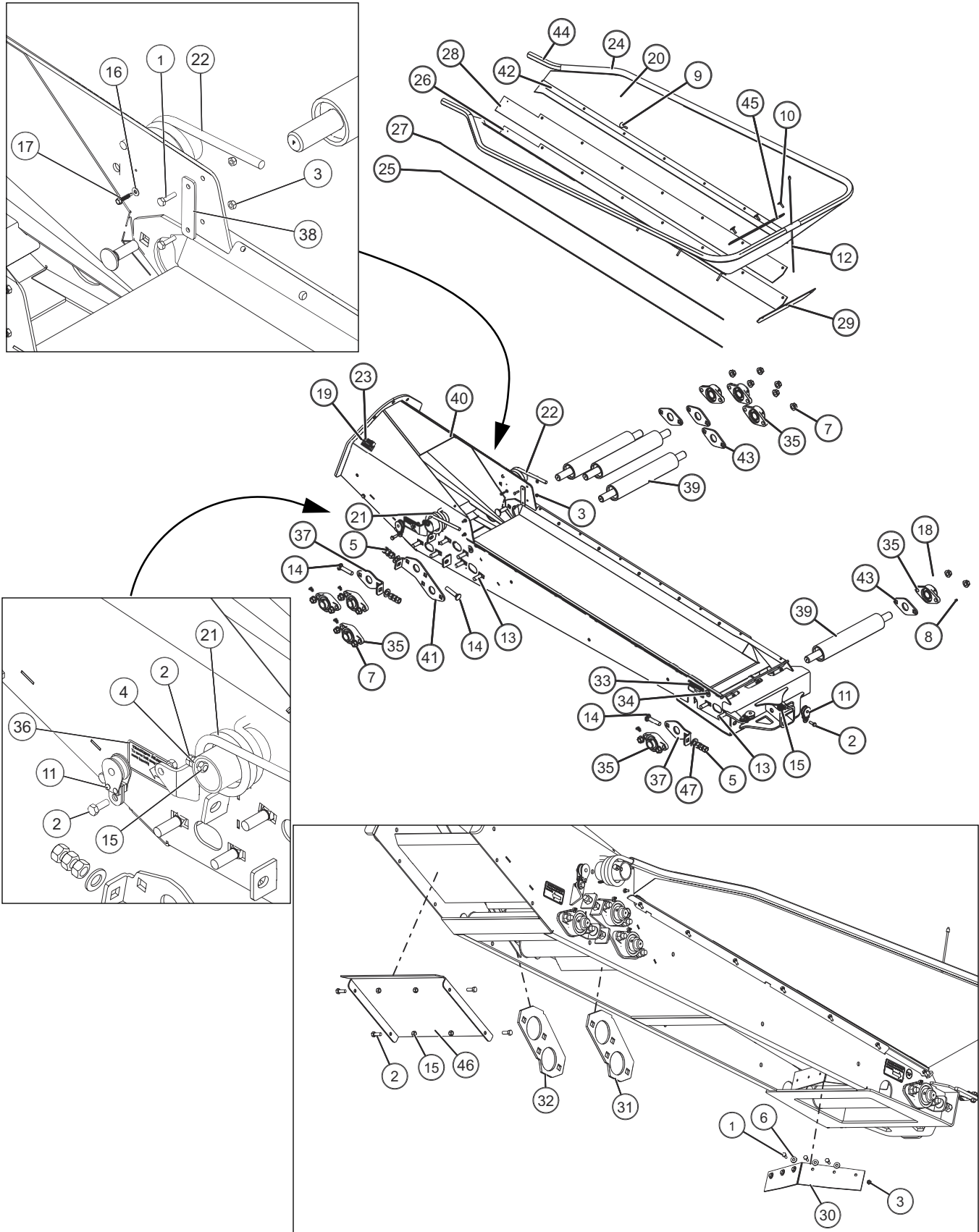
Slide Assembly



Hopper Handle & Angle Indicator Assembly

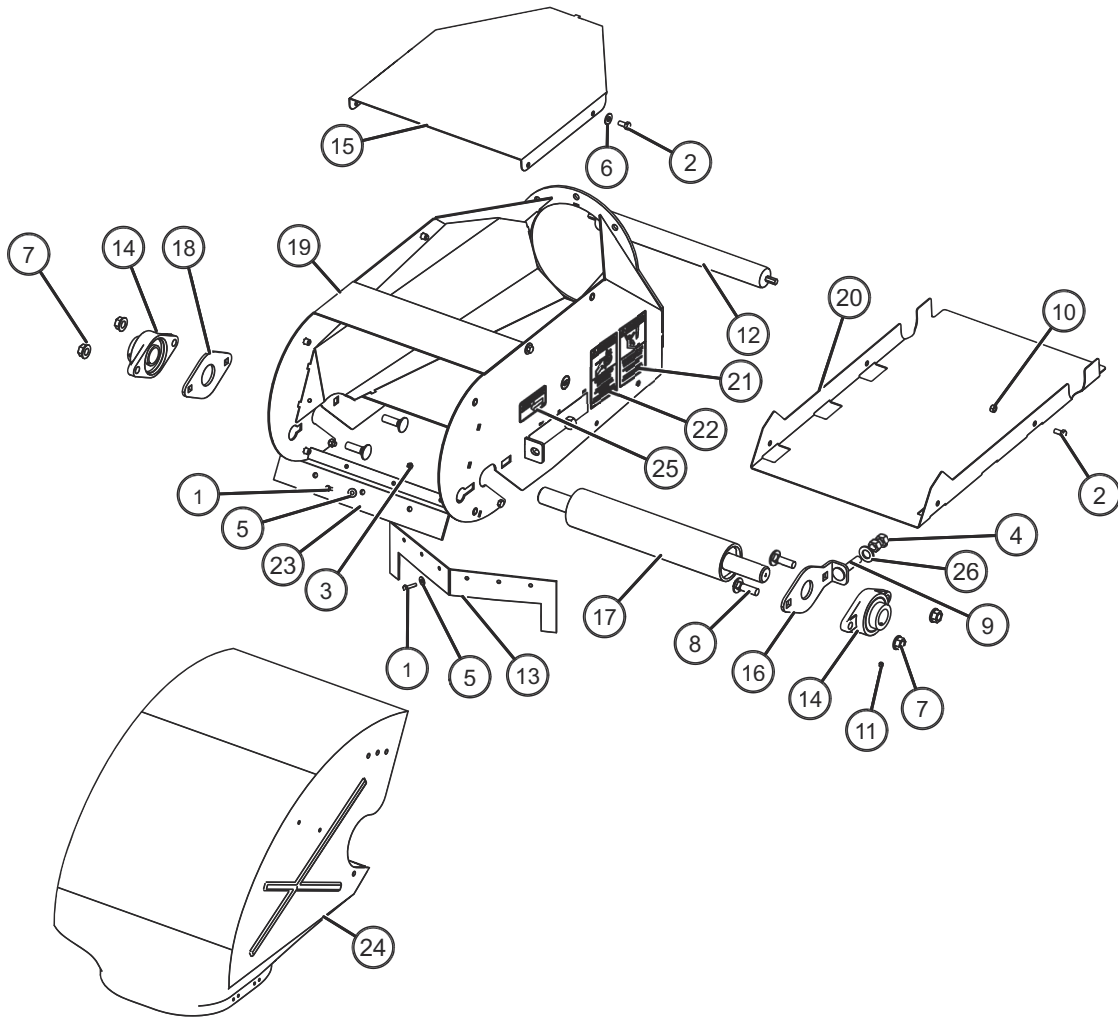
REF #	PART NO.	DESCRIPTION	QTY
1	C214856	TRACK SLIDE WELDMENT	1
2	C2140158	TRACK SLIDE PIN	1
3	C314453	2 1/2" OD CABLE SHEAVE	1
4	B001002	1/4" x 3/4" BOLT	1
5	B0011246	1/4" FLANGE LOCK NUT	1
6	B001101	3/4" x 2 1/2" BOLT	4
7	B017255	3/4" ID BEARING - 6230-3/4-2RS	4
8	B001142	3/4" HEX NUT	8
9	B001172	3/4" LOCK WASHER	4
10	C2149041	HOPPER HANDLE ASSEMBLY	1
11	B001028	3/8" x 2" BOLT	1
12	B001149	3/8" FLATWASHER	4
13	B002310	SPACER - 5/8" OD x .512" ID x 1" LONG	1
14	B008061	3/16" CABLE THIMBLE	1
15	B008060	3/16" CABLE CLAMP	2
16	B0011325	3/8" STOVER LOCK NUT	2
17	B001031	3/8" x 1 1/2" BOLT	3
18	C2158068	HOPPER HANDLE MOUNT	2
19	C2158136	HOPPER HANDLE SPACER	1
20	B002319	SPACER - 1/2" OD x 3/8" ID x 1/2" LONG	1
21	C2148005	ANGLE INDICATOR	1
22	B029701	ANGLE INDICATOR DECAL	1
23	B0281876	1 1/4" ROUND PLUG	2
24	B001113	3/4" x 8" BOLT - GR.5	2
25	B001154	3/4" LOCK NUT	2

Low Profile Intake Parts



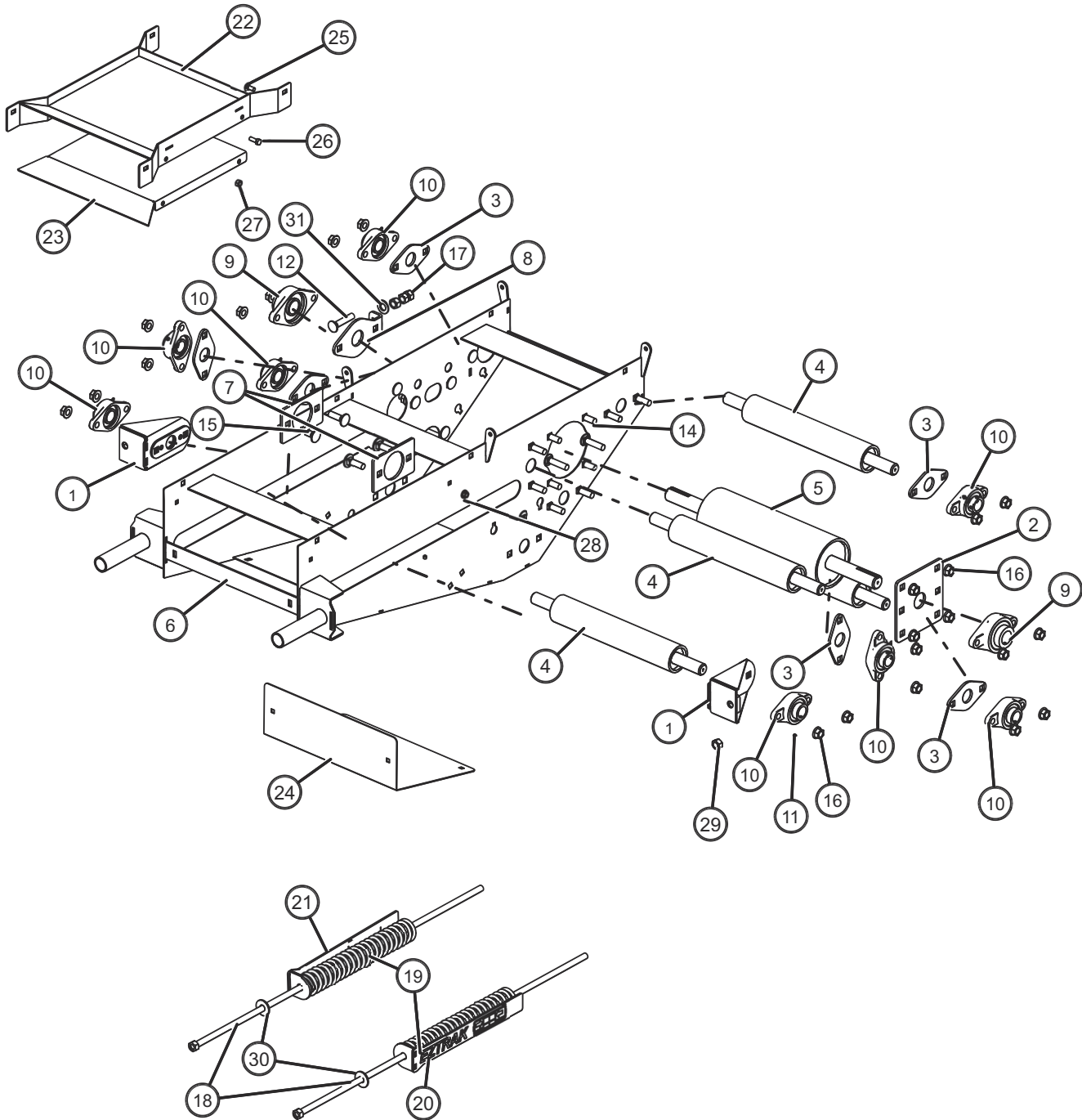
REF #	PART NO.	DESCRIPTION	QTY
1	B001003	1/4" X 1" BOLT	10
2	B001024	3/8" X 1" BOLT	9
3	B001124	1/4" LOCK NUT	27
4	B001131	3/8" HEX NUT	2
5	B001139	5/8" HEX NUT	9
6	B001147	1/4" FLAT WASHER	6
7	B001410	5/8" SERRATED FLANGE NUT	16
8	B002082	1/4"-28 GREASE ZERK - 90 DEGREES	5
9	B002224	1/4" x 1 3/4" ELEVATOR BOLT	14
10	B002226	1/4" x 1" ELEVATOR BOLT	3
11	B008097	FIXED PULLEY BLOCK	3
12	B008388	3/16" CABLE X 16' 7" LONG	1
13	B0010939	5/8" x 2" CARRIAGE BOLT	16
14	B0010951	5/8" x 3" CARRIAGE BOLT - FULL THREAD	3
15	B0011325	3/8" STOVER LOCK NUT	9
16	B0011459	#10 FLAT WASHER	2
17	B0020367	#10 x 1" TEK SCREW	2
18	B0020377	5/16" x 1/4" SET SCREW - KNURLED CONE	8
19	B0020795	1/8" x 1/2" POP RIVET	2
20	B021415	HOPPER CANVAS	1
21	B021740L	LEFT HOPPER SPRING	1
22	B021740R	RIGHT HOPPER SPRING	1
23	B021899	SERIAL NO. PLATE	1
24	B024085	HOPPER RAIL CONDUIT	1
25	B027561L	LEFT LOWER FLASHING	1
26	B027561R	RIGHT LOWER FLASHING	1
27	B027562L	LEFT UPPER FLASHING	1
28	B027562R	RIGHT UPPER FLASHING	1
29	B027563	HOPPER END FLASHING	1
30	B027564	INTAKE DOZER FLASHING	1
31	B027569L	LEFT S-ROLLER FLASHING	1
32	B027569R	RIGHT S-ROLLER FLASHING	1
33	B029450	RIGHT TRACKING DECAL	1
34	B029950	8 HRS GREASE DECAL	4
35	B0172015	1 1/4" - 2 BOLT FLANGE BEARING	8
36	B0294501	LEFT TRACKING DECAL	1
37	C211615	BEARING ADJUSTMENT PLATE	2
38	C211796	SHORT HOPPER FABRIC CLAMP	2
39	C215030	3" INTAKE ROLLER	4
40	C215742	15+ LP INTAKE WELDMENT	1
41	C2137860	S-ROLLER ADJUSTMENT PLATE	1
42	C2137862	INTAKE FABRIC STRAP	2
43	C2147927	1 1/4" BEARING SPACER	4
44	C2158011	15+ HOPPER RAIL WELDMENT	1
45	C2158012	15+ INTAKE FABRIC END STRAP	1
46	C2158013	15" INTAKE EZ TRAK BOTTOM	1
47	B001157	3/4" SAE FLAT WASHER	3

Discharge Assembly



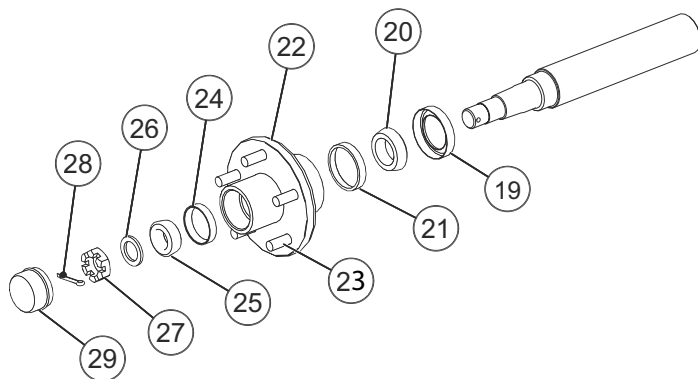
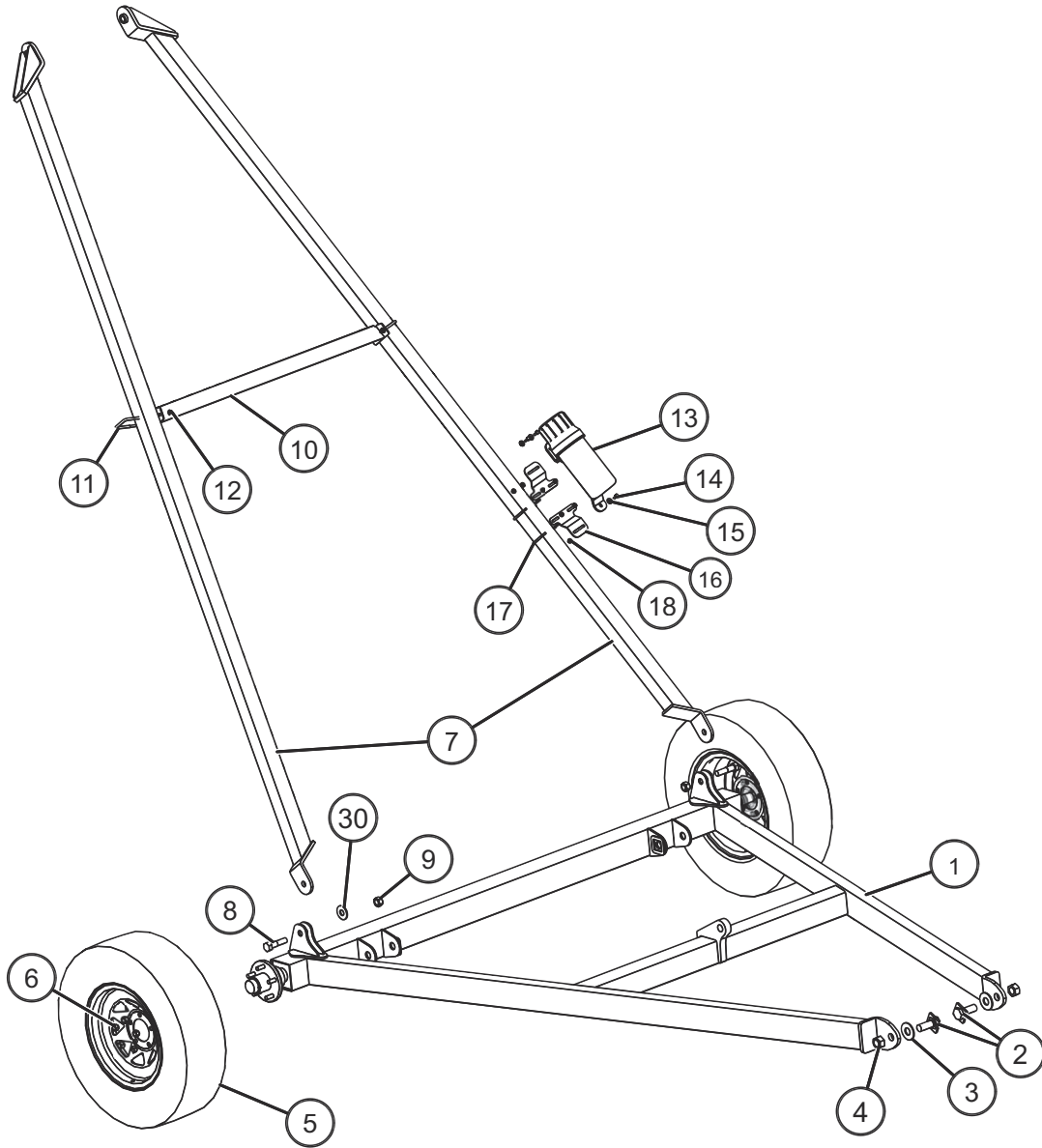
REF #	PART No.	DESCRIPTION	QTY
1	B001003	1/4" X 1" BOLT	9
2	B001023	3/8" X 3/4" BOLT	8
3	B001124	1/4" LOCK NUT	9
4	B001139	5/8" HEX NUT	3
5	B001147	1/4" FLAT WASHER	9
6	B001149	3/8" FLAT WASHER	4
7	B001410	5/8" SERRATED FLANGE NUT	4
8	B0010939	5/8" x 2" CARRIAGE BOLT	4
9	B0010951	5/8" x 3" CARRIAGE BOLT - FULL THREAD	1
10	B0011325	3/8" STOVER LOCK NUT	4
11	B0020377	5/16" x 1/4" SET SCREW - KNUTLED CONE	2
12	B021250	ROLLER - 1.9" OD x 18"	1
13	B027565	15+ DISCHARGE DOZER WIPER	1
14	B0172235	1 1/2" DIA - 2 BOLT FLANGE BEARING	2
15	C200644	MAIN DISCHARGE CAP	1
16	C215611	1 1/2" BEARING ADJUSTMENT PLATE	1
17	C2060003	3 1/2" ROLER - 1 1/2" SHAFT	1
18	C2150032	1 1/2" BEARING SPACER PLATE	1
19	C2158057A	15+ DISCHARGE WELDMENT c/w DECALS	1
20	C2158058	15+ DISCHARGE BOTTOM PLATE	1
21	B029967	DOWNPOUT WARNING DECAL	2
22	B029966	CONVEYOR DISCHARGE DECAL	2
23	B0275199	15+ DISCHARGE WIPER	1
24	B027600	15 SERIES DISCHARGE HOOD	1
25	B0294501	LEFT TRACKING DECAL	1
26	B001157	3/4" SAE FLAT WASHER	1

S-Drive Assembly



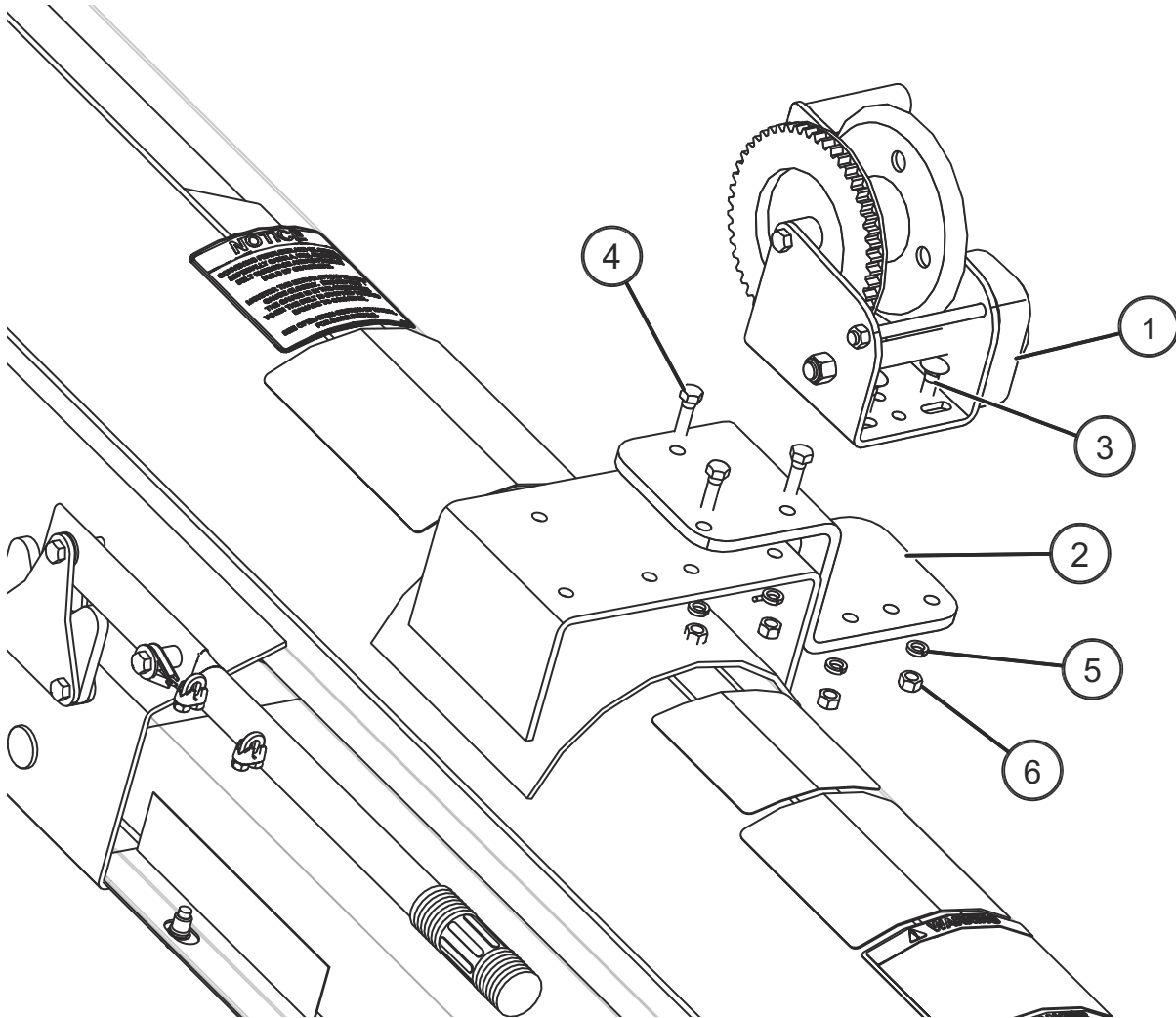
REF #	PART No.	DESCRIPTION	QTY
1	C2158017	S DRIVE TENSIONER	2
2	C2158014	DRIVE ROLLER ACCESS PANEL	1
3	C2147927	1 1/4" DIA BEARING SPACER	6
4	C215847	3" S DRIVE ROLLER	4
5	C215846	6" DRIVE ROLLER - LAGGED	1
6	C215845A	S DRIVE WELDMENT c/w DECALS	1
7	C215636	S DRIVE TENSIONER BACK PLATE	2
8	C215611	1 1/2" DIA BEARING ADJUSTMENT PLATE	1
9	B0172235	1 1/2" DIA - 2 BOLT FLANGE BEARING	2
10	B0172015	1 1/4" DIA - 2 BOLT FLANGE BEARING	8
11	B0020377	5/16" x 3/4" SET SCREW - KNURLED CONE	10
12	B0010951	5/8" x 3" CARRIAGE BOLT - FULL THREAD	1
13	B0010944	5/8" x 2 1/2" CARRIAGE BOLT	2
14	B0010941	5/8" x 1 1/2" CARRIAGE BOLT	4
15	B0010939	5/8" x 2" CARRIAGE BOLT	18
16	B001410	5/8" SERRATED FLANGE NUT	24
17	B001139	5/8" HEX NUT	3
18	B0026014	5/8" x 45" UNC BOLT - FULL THREAD	2
19	B0210731	BELT TENSION SPRING	2
20	C2158018L	LEFT TENSION GAUGE	1
21	C2158018R	RIGHT TENSION GAUGE	1
22	C2158015	UPPER EZ TRAK WELDMENT	1
23	C2158016	LOWER EZ TRAK PLATE	1
24	C2158021	S DRIVE REAR GUARD	1
25	B001082	3/8" x 1" CARRIAGE BOLT	4
26	B001024	3/8" x 1" BOLT	4
27	B0011325	3/8" LOCK NUT	4
28	B001405	3/8" SERRATED FLANGE NUT	4
29	B011139	5/8" HEX NUT	2
30	B001153	5/8" FLAT WASHER	2
31	B001157	3/4" SAE FLAT WASHER	1

Undercarriage Parts



REF #	PART No.	DESCRIPTION	QTY
1	C2158107	1537LP+ AXLE FRAME WELDMENT	1
1	C2158109	1547LP+ AXLE FRAME WELDMENT	1
2	C2158131	AXLE FRAME MOUNTING BOLT	2
3	B001159	1" FLAT WASHER	2
4	B001075	1" STOVER LOCK NUT	2
5	B011209	ST205/75R15 TIRE & 5 BOLT RIM	2
6	B0116408	WHELL NUT - 5 BOLT HUB	10
7	C2158108	1537LP+ A-FRAME ARM	2
7	C2158125	1547LP+ A-AFRAME ARM	2
8	B001104	3/4" x 3" BOLT	2
9	B001154	3/4" STOVER LOCK NUT	2
10	C214024	A-FRAME CROSS BRACE	1
11	B002011	5/16" x 2 1/2" SQ. U-BOLT x 3 1/4" LONG	2
12	B001400	5/16" SERRATED FLANGE NUT	4
13	B0275102	PLASTIC HOSE HOLDER	1
14	B001002	1/4" x 3/4" BOLT	3
15	B001147	1/4" FLAT WASHER	3
16	C314500	MANUAL HOLDER BRACKET	2
17	B0020108	1/4" x 2 1/2" SQ. U-BOLT x 3 1/2" LONG	2
18	B0011246	1/4" FLANGE LOCK NUT	7
19	B0116406	GREASE SEAL - 5 BOLT HUB (CR17415)	1/HUB
20	B0116403	INNER BEARING CONE (L68149)	1/HUB
21	B0116402	INNER BEARING CUP (L68111)	1/HUB
22	B0116401	HUB ONLY - 5 BOLT HUB	1/HUB
23	B0116409	WHEEL STUD - 5 BOLT HUB	5/HUB
24	B0116404	OUTER BEARING CUP (L44610)	1/HUB
25	B0116405	OUTER BEARING CONE (L44649)	1/HUB
26	B002073	1 1/2" OD x 1" ID x 1/8" MACHINERY BUSHING	1/HUB
27	B001525	1"-14 SLOT NUT	1/HUB
28	B002047	3/16" x 1 1/4" COTTER PIN	1/HUB
29	B0116407	DUST CAP - 5 BOLT HUB	1/HUB
NS	B011640	5 BOLT HUB COMP c/w 6,19,20,21,22,23,24,25,29	

Optional Manual Winch



REF #	PART NO.	DESCRIPTION	QTY
1	B030200	1500 LB HAND WINCH	1
2	C201244	WINCH BRACKET	1
3	B0010835	3/8" x 1 1/4" CARRIAGE BOLT	3
4	B001025	3/8" x 1 1/4" BOLT'	3
5	B001165	3/8" LOCK WASHER	6
6	B001131	3/8" HEX NUT	6